

AgronomicTillageSystems AgronomicTillageSystems AgronomicTillageSystems
AgronomicTillageSystems AgronomicTillageSystems AgronomicTillageSystems
AgronomicTillageSystems AgronomicTillageSystems AgronomicTillageSystems
AgronomicTillageSystems AgronomicTillageSystems AgronomicTillageSystems
AgronomicTillageSystems AgronomicTillageSystems AgronomicTillageSystems

NITRO 5000



- Reduced passes over land
- Precision in furrow Application
- Multiple products
- Multiple horizons

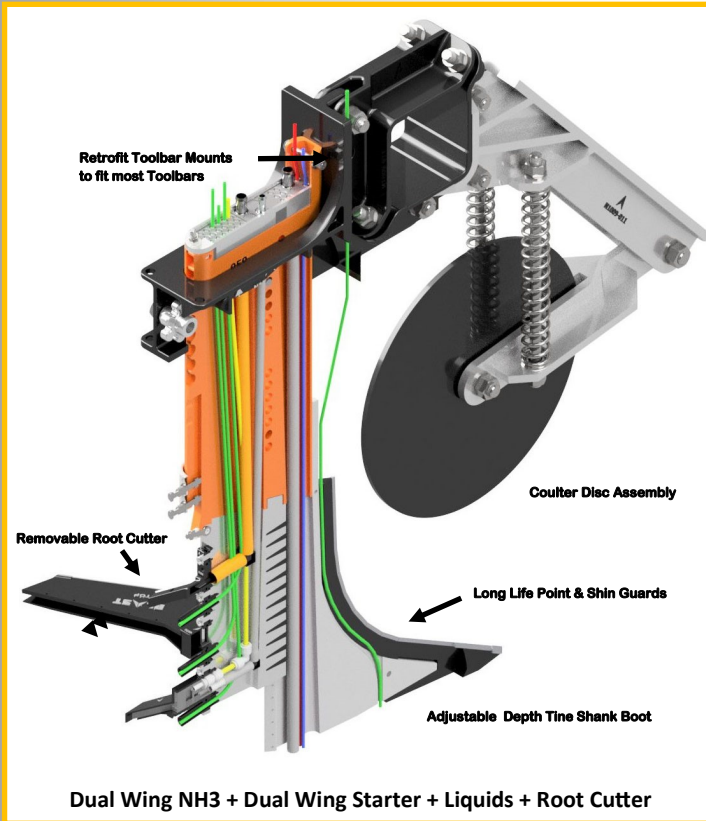


PATENT.2016900141

eSystems AgronomicTillageSystems AgronomicTillageSystems
AgronomicTillageSystems AgronomicTillageSystems AgronomicTillageSystems
AgronomicTillageSystems AgronomicTillageSystems AgronomicTillageSystems
AgronomicTillageSystems AgronomicTillageSystems AgronomicTillageSystems
AgronomicTillageSystems AgronomicTillageSystems AgronomicTillageSystems

NITRO 5000

Agrotil Nitro 5000 is a multi fertiliser tine system which can be retro fitted to most tool bars and is configurable for almost all precision , in furrow applications.



Dual Wing NH3 + Dual Wing Starter + Liquids + Root Cutter

AGRONOMIC BENEFITS

- ◆ Variable vertical banding of liquids and / or solids up to 500mm (20") deep
- ◆ Place fertilizers, nutrients & soil conditioners at correct depths for optimum plant access—liquid or dry or gas
- ◆ Multiple product placements—vertically &/or horizontally in the soil profile
- ◆ 25mm (1") depth discharge increments
- ◆ Up to 18 different liquid or 4 solids discharge depths

OTHER BENEFITS

- ◆ Reduced moisture loss through reduced passes
- ◆ Shear Bolt protected
- ◆ Tungsten wear surfaces
- ◆ Significant fuel savings
- ◆ Eliminates soil compaction

CONTACT US:

Australia: 1300 125 278

International: +61 (451) 282 142

E: info@agrotil.com

W: www.agrotil.com



Agrotil is an innovator in tillage systems design and manufacture.

A highly skilled team of industry specialists an engineers work constantly to answer common problems and issues identified within agriculture everyday.

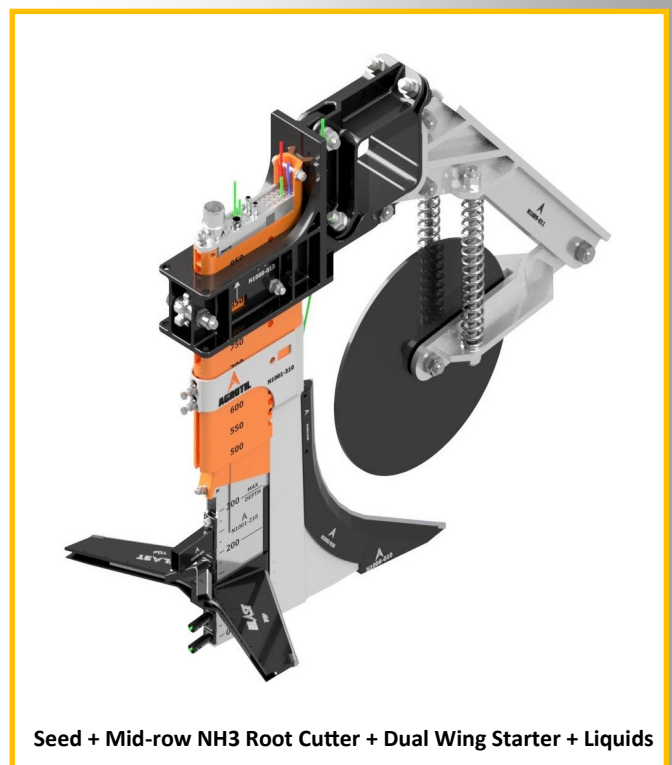
A subsidiary to the BLAST Group who deliver quality castings production and assembly. Agrotil has already gained global acknowledgement for what has been described as *"Simply better tillage systems"*.



4 Solids layers + Liquids + Root Cutter

OTHER FEATURES

- ◆ Variable depth from 750 (30") to 1200mm (47") underframe
- ◆ Easily reconfigurable to suit changing requirements and conditions



Seed + Mid-row NH3 Root Cutter + Dual Wing Starter + Liquids